

CRONOS[®]

Water Quality Analyser
Water Quality Monitor
Water Quality Controller
Water Quality Instrument



High Quality-Low Cost

Part of a range of controllers, the CRONOS[®] is the little brother of the CRIUS[®]. The CRONOS[®] is a high quality, low cost transmitter designed to give water treatment engineers everything that they need from a transmitter and nothing that they don't.

Superior Communications

With no frills, costs can be kept to a minimum whilst optional comms packages allow Profibus, Modbus ASCII, Modbus RTU, Modbus TCP, 4-20mA analogue outputs, and relays for alarms and control.

PID Control Options

CRONOS[®] has the capability to control up to two sensors of any type with appropriate analogue outputs and relays. Equipped with optional PID control CRONOS[®] is very able to control complex water treatment processes at a fraction of the cost of other controllers.

Proactive Sensor Maintenance

For each sensor the CRONOS[®] will prompt users through calibration procedures and will remind them when maintenance is due for each sensor type.

Customers requiring additional functionality such as a colour display, downloadable data logs, or remote access via the internet should consider a CRIUS[®] controller.

CRONOS[®] + Sensors = Product Name

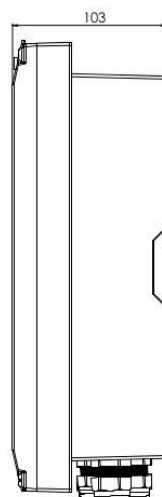
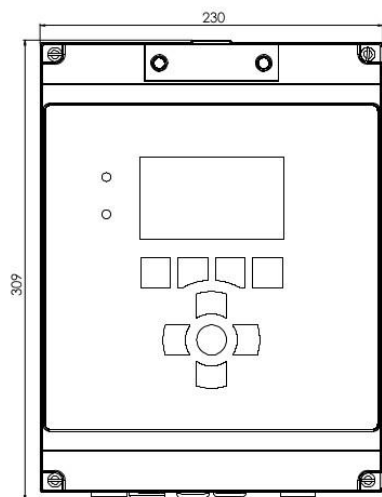
Free Chlorine Analyser	<i>HaloSense</i>
Total Chlorine Monitor	<i>HaloSense</i>
Chlorine Dioxide Analyser	<i>DioSense</i>
Ozone Monitor	<i>OzoSense</i>
Dissolved Oxygen Meter	<i>OxySense</i>
Suspended Solids Monitor	<i>SoliSense</i>
Streaming Current Monitor	<i>StreamerSense</i>
pH Analyser	<i>pHSense</i>
ORP Analyser	<i>ORPSense</i>
Organics Monitor	<i>UV254Sense</i>
Biofilm Monitor	<i>BioSense</i>
Online Conductivity Monitor	<i>ConductiSense</i>
Particle Counter	<i>CounterSense</i>
Filter Monitor (Particle Counter)	<i>FilterSense</i>
Turbidity Meter	<i>TurbSense</i>

Each 'Sense' analyser has its own brochure, detailing applications and common accessories. Please click on the product name above if you are online. If not, please visit the [website](http://www.processinstruments.co.uk) to access all Pi's product brochures.

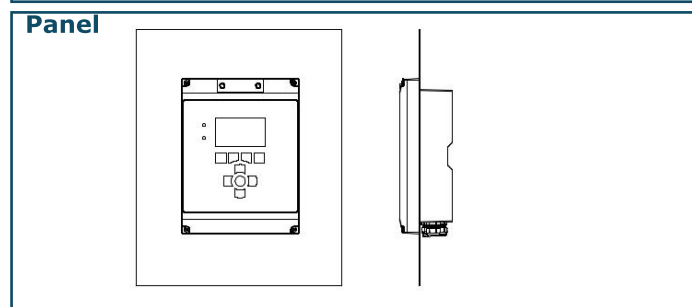
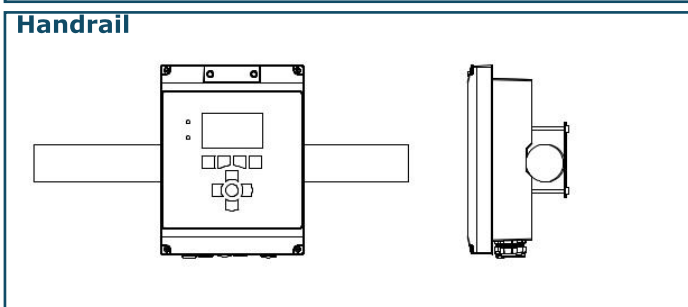
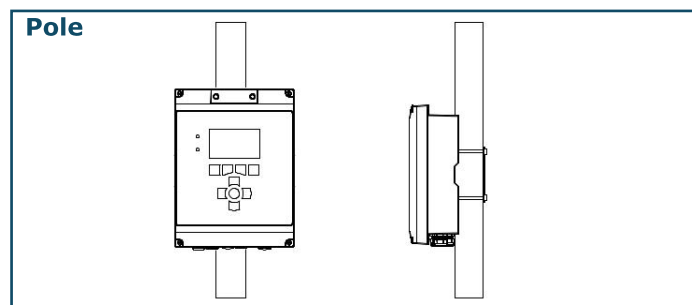
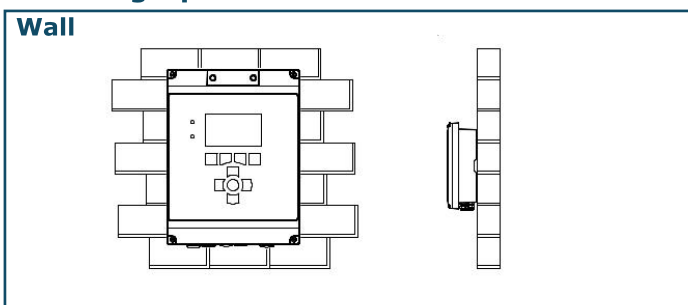
CRONOS[®] CRIUS[®]

Highest quality sensors	•	•
Multilingual	•	•
System logger	•	•
On display trending	•	•
Event logger	•	•
Download logs	Optional	•
PID controls	Optional	Optional
Up to 2 sensors	•	•
Up to 4 sensors		•
Expandable up to 16 sensors		Optional
Analogue outputs V and mA	•	•
Isolated universal inputs & outputs	•	•
Large high resolution display	•	•
Colour display	Optional	•
Up to 8 relays	•	•
Expandable up to 32 relays		Optional
Up to 8 digital inputs	•	•
Expandable up to 32 digital inputs		Optional
Remote internet access		Optional
GSM/GPRS/3G/4G integrated modem		Optional
Remote Access LAN		Optional
Profibus	Optional	Optional
Modbus ASCII/RTU serial	Optional	Optional
Modbus TCP (LAN enabled)	Optional	Optional
AC/DC (110-240VAC, 12VDC)	•	•
Wall and Panel mountable	•	•
Pole and handrail mountable	•	•
IP65/Nema 4X enclosure	•	•
Fire retardant ABS Enclosure	•	•

Dimensions



Mounting Options



Specification*

CRONOS®

Power Requirements	100-240 VAC/0.25 A or 12 VDC/0.8 A
Languages	Any non pictogram by request Any Latin, Cyrillic, Hellenic
Inputs	Up to 2 configurable sensor inputs; 4-20mA, 4-20mA loop-powered, 0-2 VDC, +/- 1200 mV for pH, ORP, or ISEs, PT100, potentiometric, pulse and Modbus. Unused inputs can be used as outputs. Up to 8 digital inputs
Outputs	Up to 2 dedicated configurable analogue outputs; 0-20mA, 4-20mA, 0-1 VDC, 0-10 VDC, 1-10 VDC. Up to 8 SPDT electromechanical relays rated 10A at 250 VAC and 5A at 30 VDC
Alarms	2 user configurable alarms with deadband and delay for each parameter and control output
Thresholds	2 user configurable thresholds (for control) with deadband and delay for each measurement and control output
PID	Configurable flow proportional PID - multiple loops
Communication (Optional)	Modbus ASCII/RTU (RS485) Profibus DP Modbus TCP (Ethernet)
Memory Backup	All user configuration is stored in non-volatile on-board flash memory
Enclosure	ABS flame retardant IP65, Nema 4X
Dimensions (mm)	230 x 309 x 103
Display	4.3", 480 x 272, 8 bit, greyscale (4.3", 480 x 272, 24 bit colour optional)
Weight	2 kg
Warranty	12 months from date of purchase (longer warranty optional)
Data Logging	Internal - Single parameter data log or status message log over 1 million records (downloadable data logs optional)

**All subject to change without notice*